

# 17961

## BLACK SPLIT TOP LOW PROFILE L-FOOT FOR QB2 FOR ASPHALT, EPDM, & TPO ROOFS PATENT # 8448407



A DIVISION OF QUICKSCREWS INTERNATIONAL CORP

# TABLE OF CONTENTS

**3**

## SPEC SHEET

QTY & MEASUREMENT INFORMATION

---

**5**

## INSTALLATION INSTRUCTIONS

STEP-BY-STEP-INSTALLATION GUIDE

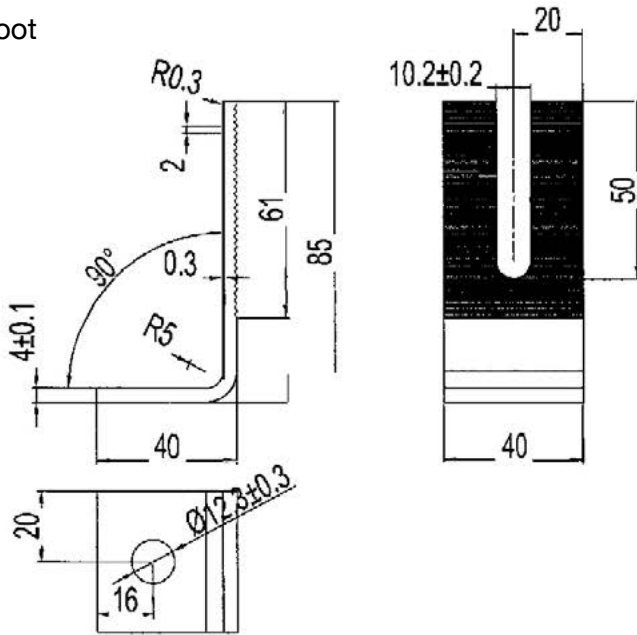
---

# SPEC SHEET

Part #	Box Quantity
17961	Low Profile Black Split Top L-Foot (25)



PN# 17961  
 Black Split Top L-Foot  
 for QB2



Baiting tolerance	±2 mm
Hole tolerance	±0.5 mm
Hole distance tolerance	±0.5 mm
Form tolerance	±2 mm
Thickness tolerance	±0.1 mm
Angle tolerance	±1°

Design		Scale	Quantity
Drawing		Material	SUS304
Confirm		Drawing No.	
Verify		Finish	
	17961 Split Top		

# INSTALL INSTRUCTIONS



1



2



3



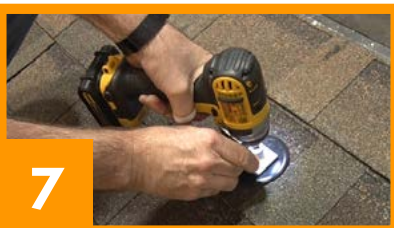
4



5



6



7

## BLACK QB2 (17962)

### RECOMMENDED MATERIALS

- Tools to locate and mark rafter
- Drill with a 15/64" drill bit
- MFG approved sealant (optional)
- 1/2" Nut Setter

### INSTALLATION INSTRUCTIONS

1. Locate and mark the rafter
2. Pre-drill the hole
3. Optional: Fill the predrilled hole with MFG approved sealant
4. Optional: Place a ring of sealant around the bottom of the Microflashing® washer
5. Place the Microflashing®
6. Insert the Bolt into the L-Foot
7. Drive the Bolt until the Microflashing® is compressed

