

16264

QUICKBOLT WITH UMBRELLA WASHER FOR METAL ROOFS



A DIVISION OF QUICKSCREWS INTERNATIONAL CORP

TABLE OF CONTENTS

3

SPEC SHEET

QTY & MEASUREMENT INFORMATION

6

INSTALLATION INSTRUCTIONS

STEP-BY-STEP-INSTALLATION GUIDE

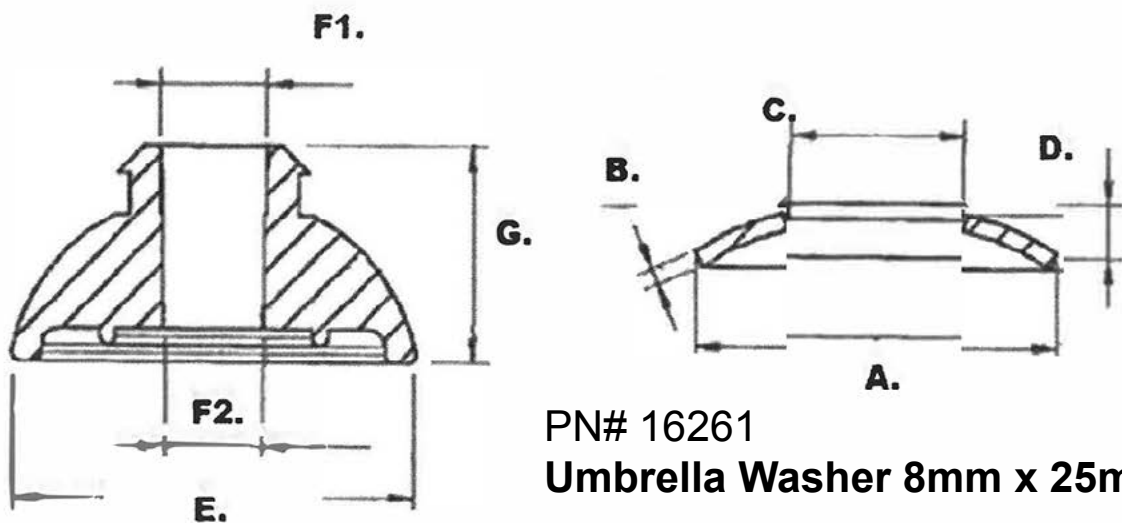
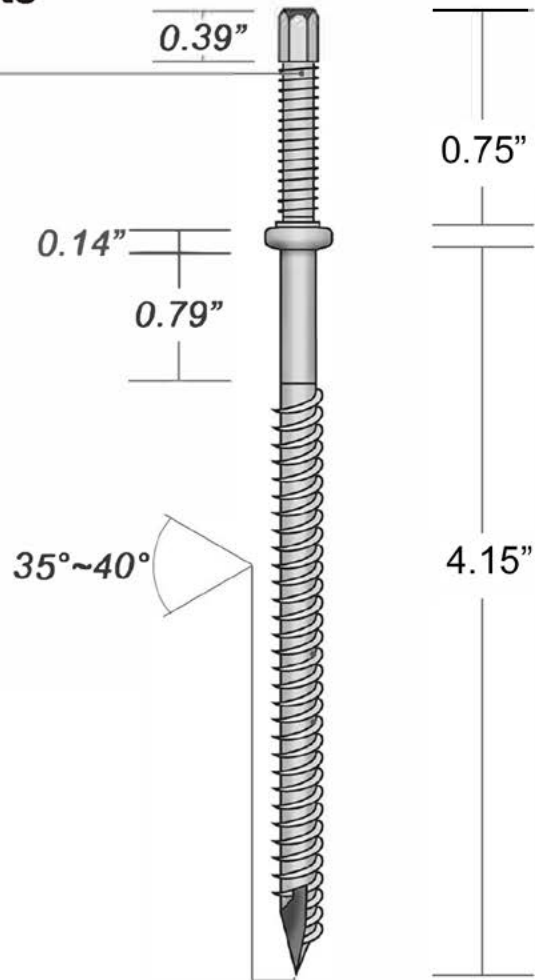
SPEC SHEET

Part #	Box Quantity
16264	5.25" Bolts (25); Umbrella Washer (25); Low Profile L-Foot (25); Flange Nuts (25)



Part #17664

5/16-18 X 5.25"
304 Stainless Steel
Removable Hanger Bolts



PN# 16261
Umbrella Washer 8mm x 25mm



Natural color/Black		Customer
15894SS		
15794SS		

4mm Thick

**Technical requirement : The dimensions of the hooks are in accordance with the drawings.
Surface smooth, without burr.**

Baiting tolerance	± 2 mm	Material:	304SS	Mapper:	
Hole tolerance	± 0.5 mm				
Hole distance tolerance	± 0.5 mm	Date:	2017. 11. 28	Auditor:	
Form tolerance	± 2 mm				
Thickness tolerance	± 0.1 mm				
Angle tolerance	± 1°				

INSTALL INSTRUCTIONS



RECOMMENDED MATERIALS

- Rafter locator
- Chalk or a crayon
- Drill with a 3/16" drill bit
- M6 deep socket hex driver
- 1/2" wrench

INSTALLATION INSTRUCTIONS

1. Locate the rafter and predrill the hole
2. Place the screw with umbrella washer and drive until it compresses
3. Insert the L-Foot
4. Insert the nut and tighten until secure