

# 16261

16266

## QUICKBOLT WITH UMBRELLA WASHER FOR METAL ROOFS



A DIVISION OF QUICKSCREWS INTERNATIONAL CORP

# TABLE OF CONTENTS

**3**

## SPEC SHEET

QTY & MEASUREMENT INFORMATION

---

**4**

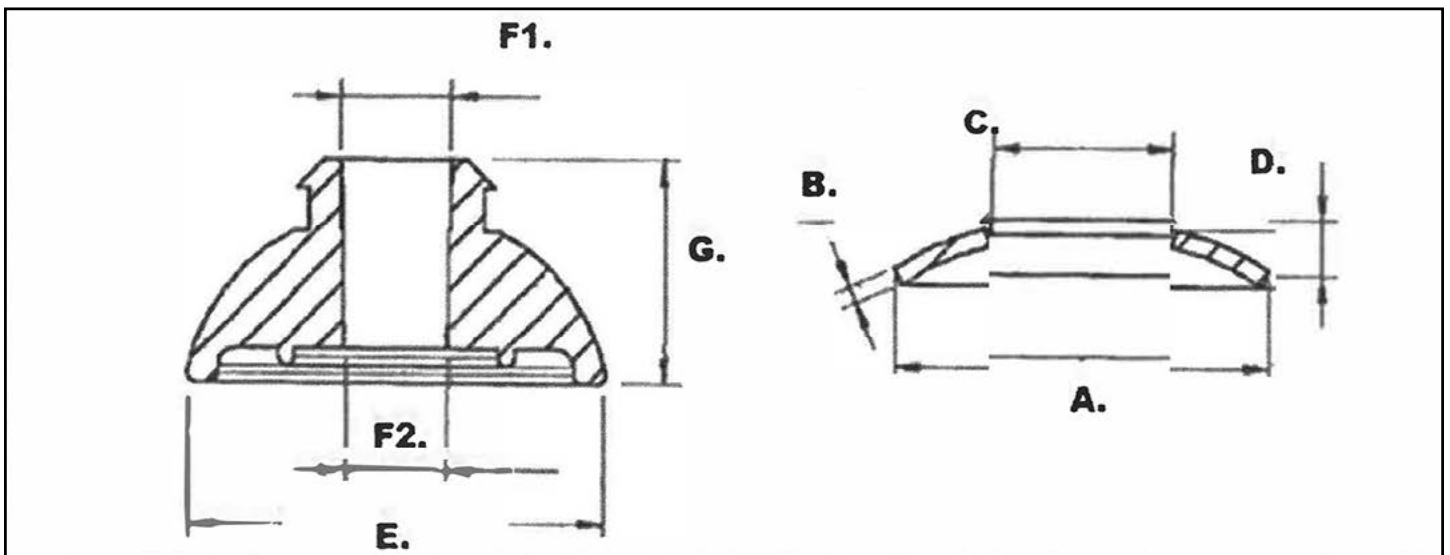
## INSTALLATION INSTRUCTIONS

STEP-BY-STEP-INSTALLATION GUIDE

---

# SPEC SHEET

Part #	Box Quantity
16261	8mm Umbrella Washer (1200/Pack)
16266	8mm Umbrella Washer (100/Pack)



# INSTALL INSTRUCTIONS



## RECOMMENDED MATERIALS

- Rafter locator
- Chalk or a crayon
- Drill with a 3/16" drill bit
- M6 deep socket hex driver

## INSTALLATION INSTRUCTIONS

1. Locate the rafter and predrill the hole
2. Place the screw with umbrella washer and drive until it compresses
3. Do not over-compress Umbrella Washer. If the EPDM is compressed too far it reduces the seal and could cause leak issues.

\* **Umbrella Washer only.** Screw not included.